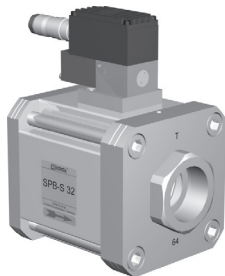
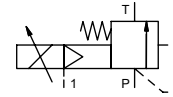


# pressure limitation valve

## type **SPB-S 32**



**control valve** proportional  
**pressure range** PN 5-64 bar  
**orifice** DN 32 mm  
**connection** thread  
**function** stepless  
 pressure regulation  
 bypass version



Above stated body materials refer to the valve port connections that get in contact with the media only!

**design** externally controlled with spring return  
**body materials** ① ④  
 ② steel, galvanized ⑤  
 ③ ⑥  
**valve seat** metal on metal  
**seal materials** FPM, PTFE

**details needed for main valve**

- orifice
- port
- pressure regulating range
- flow rate
- media
- media temperature
- ambient temperature

**details needed for proportional valve**

- nominal voltage
- actuation pressure range min/max

general specifications		options
ports	SPB	threads G 1 1/2
function		stepless regulation
pressure regulation range	bar	5-64
Kv value	m <sup>3</sup> /h	24,0
media		liquid - highly viscous - contaminated
abrasive media		
flow direction	P ⇌ T	as marked
operating time	ms	< 900
media temperature	°C	0 to +60
ambient temperature	°C	0 to +50
approvals		
mounting		mounting holes
weight	kg	8,4
additional equipment		

**electrical specifications**

electrical specifications		options
nominal voltage	U <sub>B</sub>	DC 24 V (max. residual ripple 10%)
power consumption	DC	< 0,7 A
control signals	U <sub>E</sub>	0-10 V (R <sub>e</sub> 100KΩ)
protection	IP65	acc. DIN 40 050
energized duty rating	ED	100% (observe the connection conditions accordingly)
connection		plug with 7 contacts / wire diameter 6-8 mm

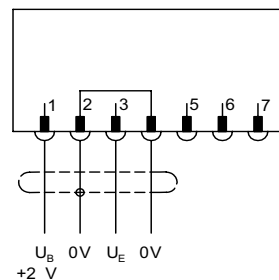
**pneumatic specifications**

pneumatic specifications		options
actuation pressure range	bar	see actuation pressure-diagram
air consumption		DIN ISO 8573-1 grade of compressed air quality 5/4/3
control		by 3/2-way proportional valve
actuator ports	1	G 1/8

The valves' technical design is based on media and application requirements. This can lead to deviations from the general specifications shown on the data sheet with regards to the design, sealing materials and characteristics.

If order or application specifications are incomplete or imprecise there exists a risk of an incorrect technical design of the valve for the required application. As a consequence, the physical and / or chemical properties of the materials or seals used, may not be suitable for the intended application.

**connection plan**



**connection conditions**

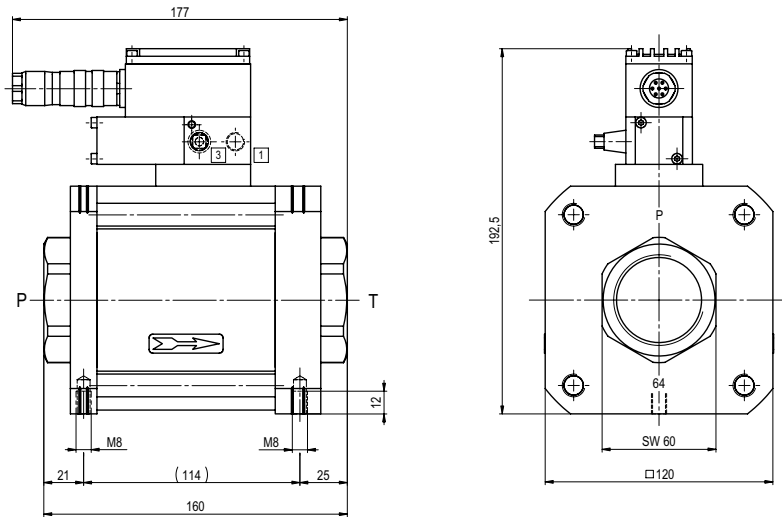
When supplying the electrical set point signal to the proportional valve, the actuating air must already be present. (see actuation pressure-diagram)

**position of installation**

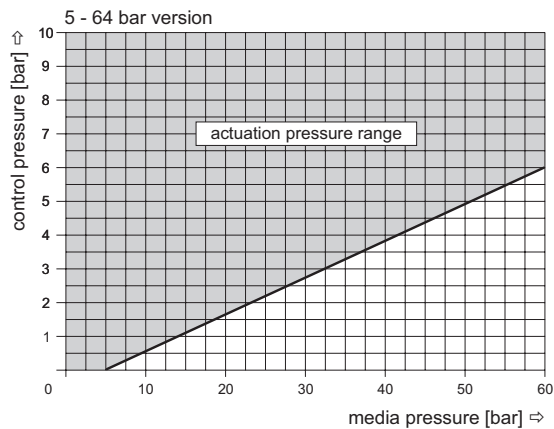
arbitrarily, but regulator not downwards

■ specifications not highlighted are standard  
 ■ specifications highlighted in grey are optional

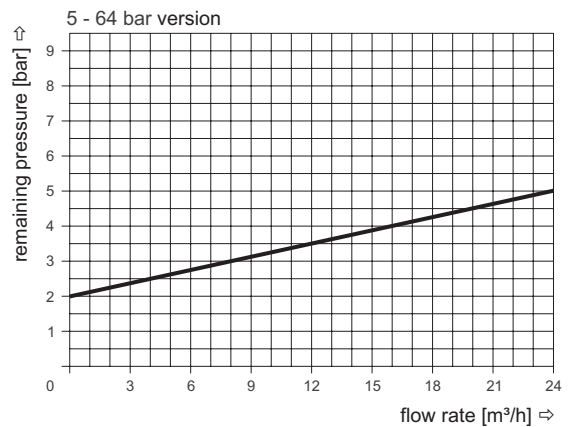
# type SPB-S 32



**actuation pressure-diagram**



**pressureless circulation mode**



**Sound creation during low pressure circulation mode and flow Q=24 m³/h: ca. 70 dbA**

The application-specific layout relating to temperature, pressure conditions, switching behavior, media and its consistency may restrict the range of use or necessitate relevant modifications to materials used and seal arrangements.

Rights reserved to make technical alterations • Not responsible for printing errors • Detailed drawings can be obtained upon request