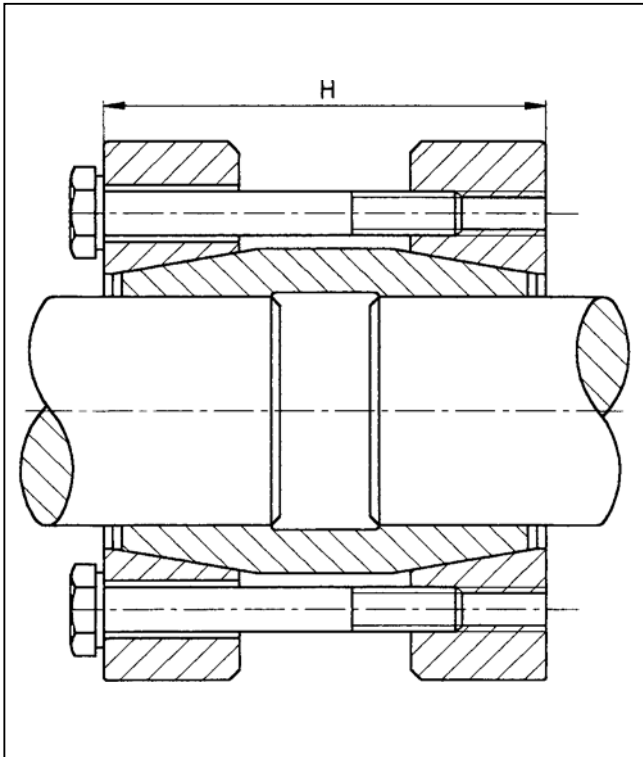
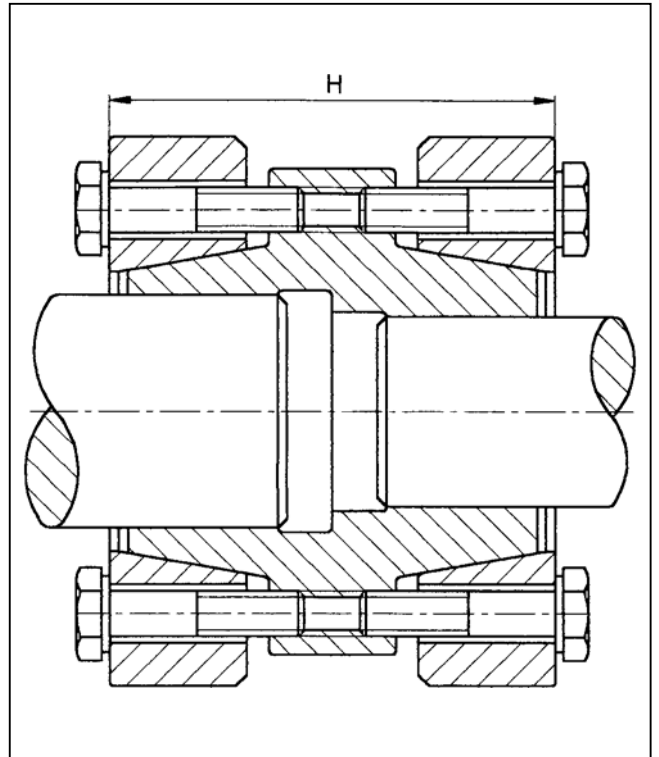


## Examples of special versions

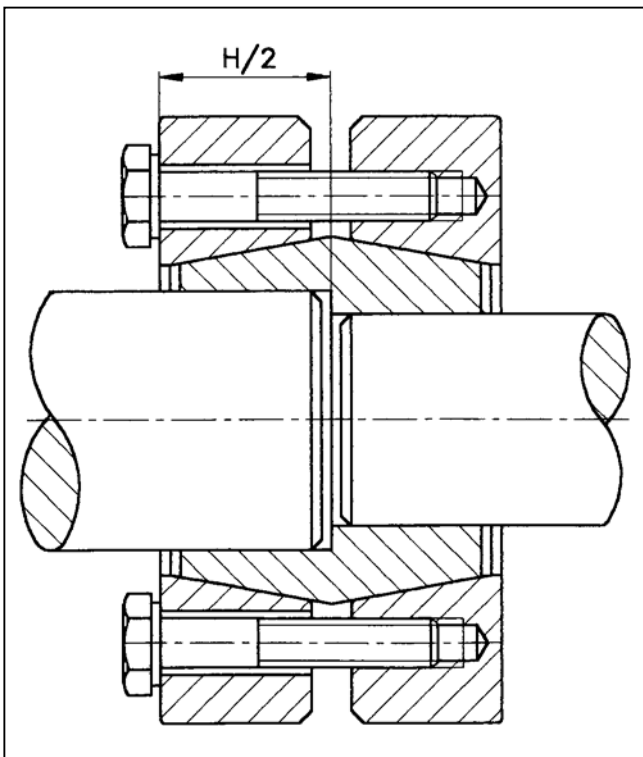


Type WLB

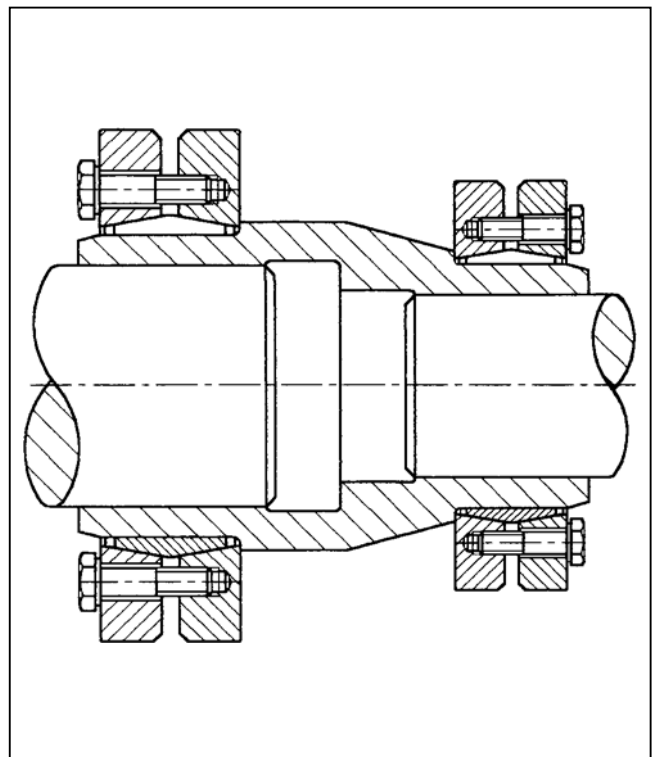


Type WLA /  $dw_1$  /  $dw_2$

The measurement H can be fitted to the customers' wishes.



Type W  $dw_1$  /  $dw_2$



Type WK /  $dw_1$  /  $dw_2$