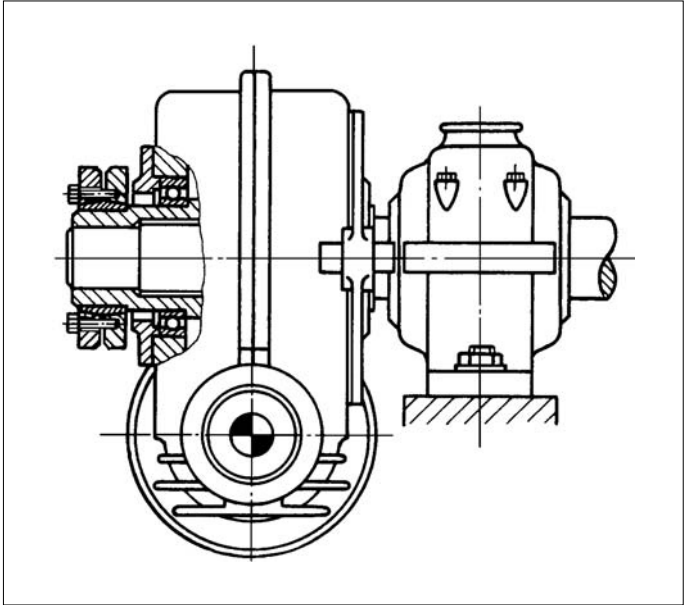


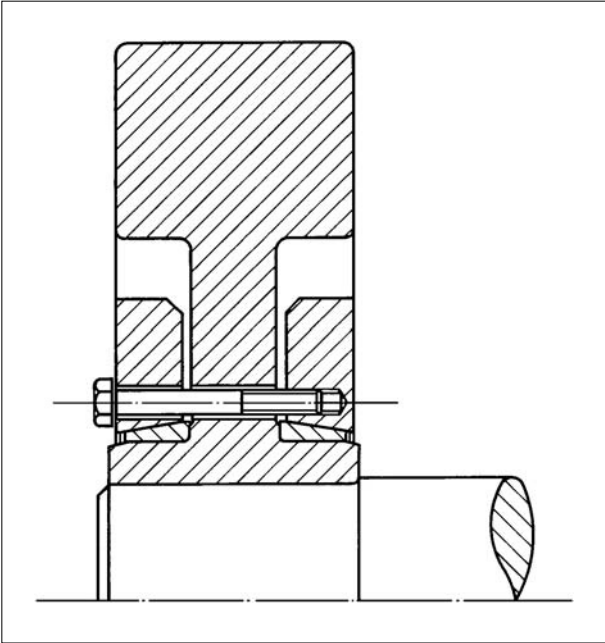
Examples of application



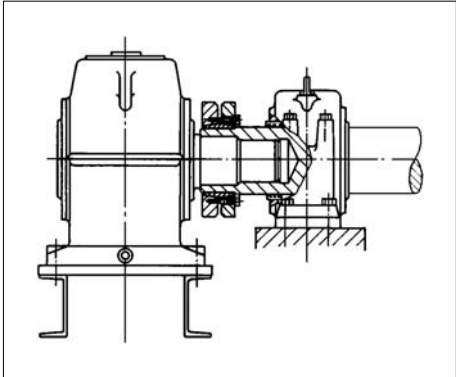
Attachment of sprocket wheel with shrink disc
Works photo: Henkenjohann



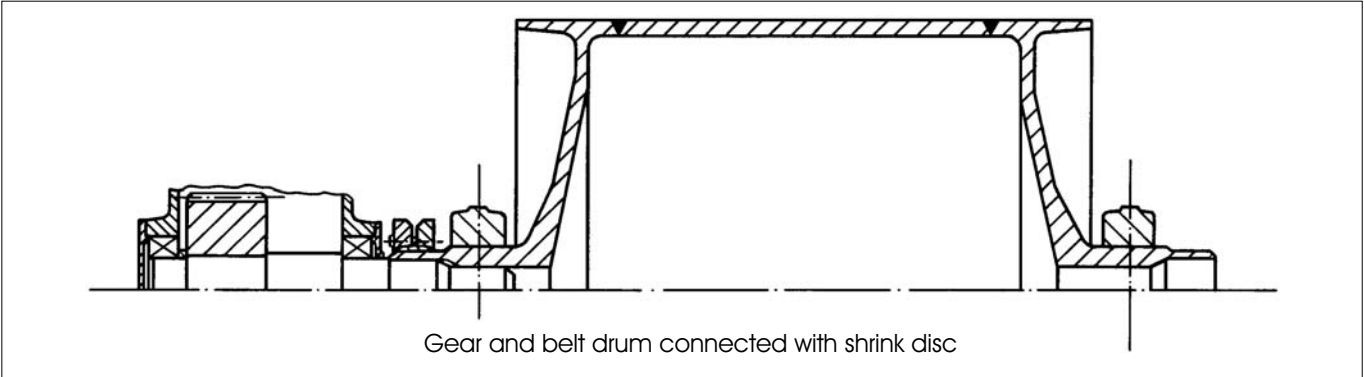
Hollow shaft worm gear mounted on shaft by means of shrink disc



Attachment of flywheel with divided shrink disc

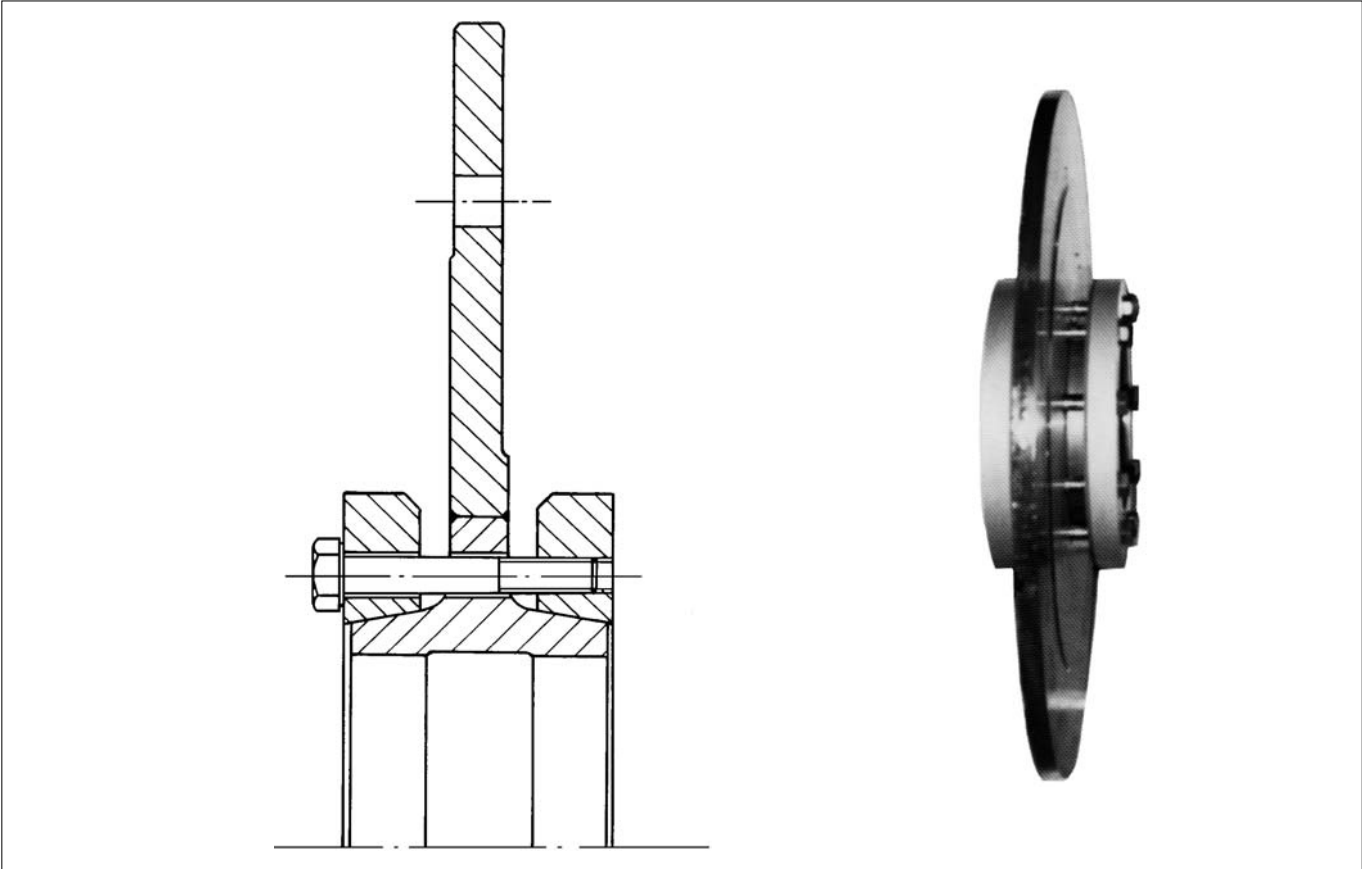


Solid shaft gear mounted on shaft by means of shrink disc

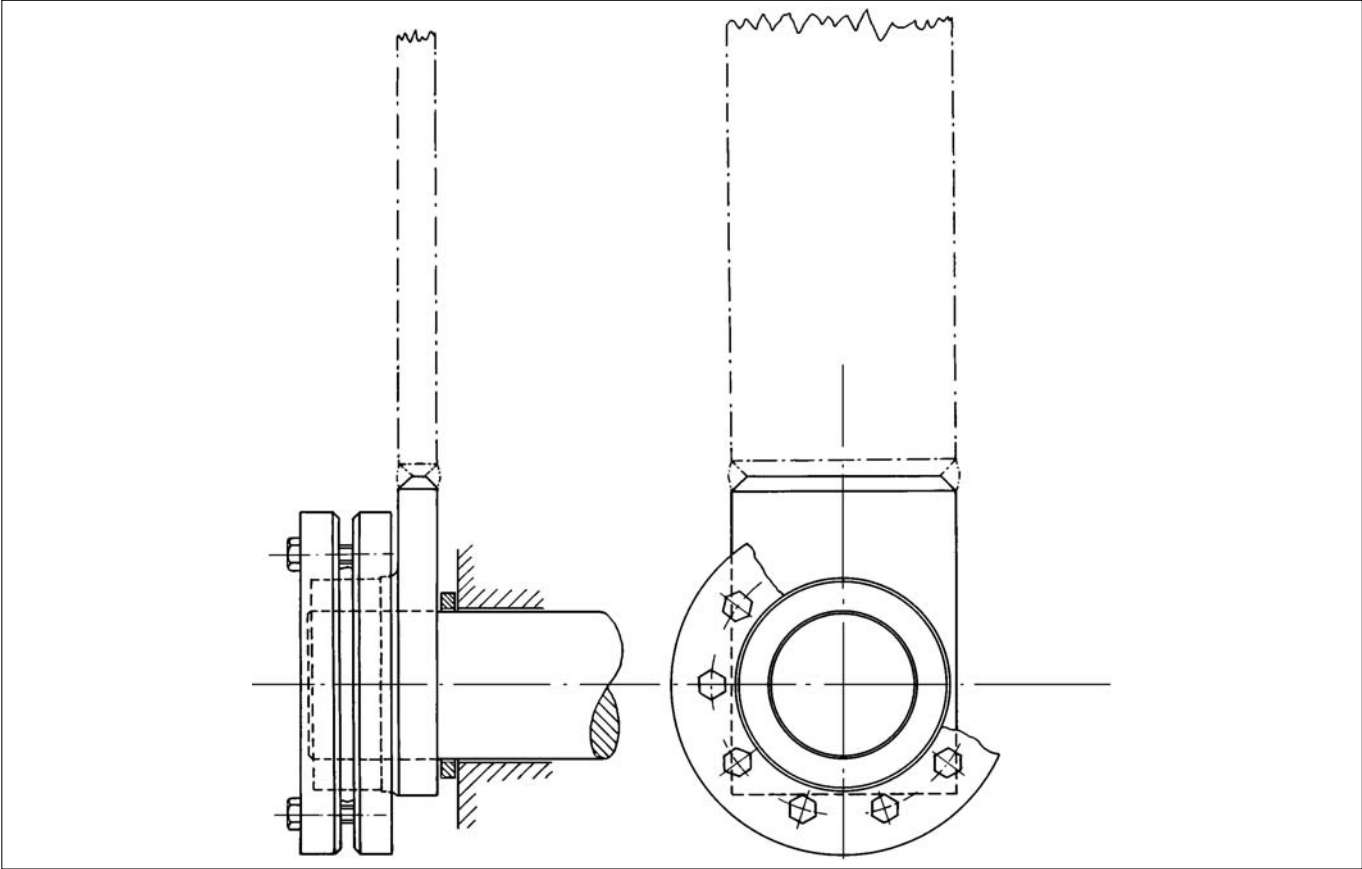


Gear and belt drum connected with shrink disc

Examples of application



Brake disc



Lever fixture