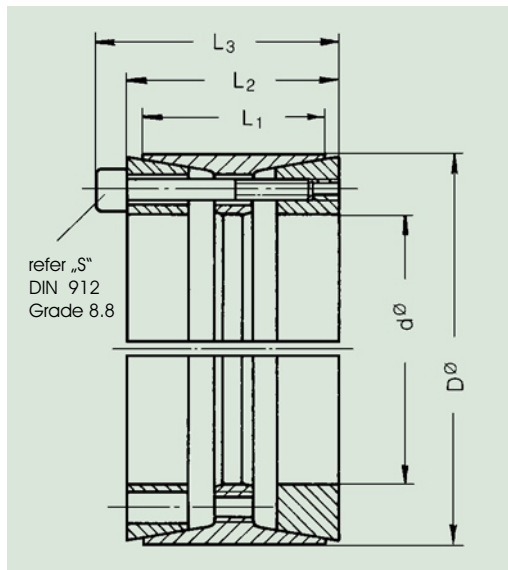


TAS 3015.1 REDUCED PRESSURES, especially for Conveyor Pulleys



M_t = Max. transmissible torque per locking assembly

M_A = Tightening torque per screw

P_{ax} = Transmission axial force

p_w p_N = Contact pressure between locking assembly and shaft
(p_w) resp. hub (p_n)

$L_2 - L_3$ for unlocked assemblies

mm dxD	Nm M_t	kN P_{ax}	mm L1	mm L2	mm L3	Pieces	S	Nm M_A	N/mm ² p_w	N/mm ² p_N	Weight kg
70x110	4250	121	50	60	70	8	M 10x 55	49	115	64	2,3
80x120	6100	152	50	60	70	10	M 10x 55	49	125	73	2,5
90x130	7500	167	50	60	70	11	M 10x 55	49	122	74	2,7
100x145	8840	177	60	70	82	10	M 12x 60	69	97	60	4
110x155	9740	177	60	70	82	10	M 12x 60	69	89	56	4,3
120x165	11600	193	60	70	82	11	M 12x 60	69	89	58	4,6
130x180	16060	247	65	79	91	14	M 12x 65	69	93	61	6,3
140x190	18500	264	65	79	91	15	M 12x 65	69	93	62	6,6
150x200	19860	264	65	79	91	15	M 12x 65	69	87	59	7,1
160x210	23270	290	65	79	91	16	M 12x 65	69	87	60	7,5
170x225	30870	363	78	92	106	15	M 14x 75	108	92	63	10,3
180x235	32750	363	78	92	106	15	M 14x 75	108	87	60	10,9
190x250	36800	387	88	102	116	16	M 14x 80	108	78	50	14
200x260	48450	484	88	102	116	18	M 14x 80	108	92	59	14,7
220x285	55570	505	96	108	124	15	M 16x 90	168	83	54	19,1
240x305	80750	673	96	108	124	20	M 16x 90	168	100	67	20,3
260x325	91670	705	96	108	124	20	M 16x 90	168	97	66	21,9
280x355	122800	877	96	110	130	15	M 20x100	369	114	75	28,1
300x375	133000	887	96	110	130	16	M 20x100	369	106	72	30,1
320x405	189000	1181	124	136	156	20	M 20x110	369	102	67	44
340x425	200800	1181	124	136	156	20	M 20x110	369	96	64	46,7
360x455	262000	1455	140	155	177	20	M 22x130	495	98	62	66
380x475	277700	1455	140	155	177	20	M 22x130	495	93	60	73
400x495	319000	1595	140	155	177	22	M 22x130	495	97	65	76
420x515	367800	1751	140	155	177	24	M 22x130	495	100	68	80
440x535	429500	1952	140	155	177	24	M 22x130	550	98	73	81
460x555	448400	1952	140	155	177	24	M 22x130	550	94	70	85
480x575	489700	2040	140	155	177	25	M 22x130	550	94	70	88
500x595	508000	2040	140	155	177	25	M 22x130	550	90	68	91
520x615	591000	2273	140	155	177	28	M 22x130	550	97	73	95
540x635	614000	2273	140	155	177	28	M 22x130	550	93	71	98
560x655	682000	2437	140	155	177	30	M 22x130	550	96	74	101
580x675	707400	2437	140	155	177	30	M 22x130	550	93	72	104
600x695	731600	2437	140	155	177	30	M 22x130	550	90	70	108

Further sizes on request. When ordering, show: TAS 3015.1/d/D